



DCS-F5724

4MP DAY & NIGHT MOTORIZED VARI-FOCAL BULLET CAMERA

KEY FEATURES

Optics

- Optics
- Day/night functionality
- SmartIR, up to 30 m (98 ft) IR distance
- IR anti-reflection window to increase the infrared transmittance
- 2D/3D DNR (Digital Noise Reduction)

Compression

- Ultra 265, H.265, H.264, MJPEG
- Triple streams

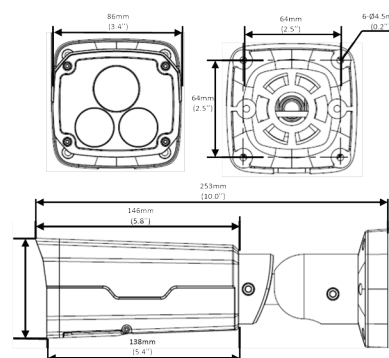
Network

- ONVIF Conformance

Structure

- Wide temperature range: -30°C to 60°C (-22°F to 140°F)
- Wide voltage range of $\pm 25\%$
- IP67
- 3-Axis

DIMENSIONS



| Camera | | | | | |
|-------------------------|--|-----------|--------------|----------------|-------------|
| Sensor | 1/3", 4.0 megapixel, progressive scan, CMOS | | | | |
| Lens | 2.8~12 mm, motorized zoom lens | | | | |
| DORI Distance | Lens | Detect(m) | Observe(m) | Recognize(m) | Identify(m) |
| | 2.8mm | 63 | 25.2 | 12.6 | 6.3 |
| | 12mm | 270 | 108 | 54 | 27 |
| Angle of View (H) | 91.0°~27° | | | | |
| Angle of View (V) | 54.4°~13.7° | | | | |
| Angle of View (O) | 118.3°~33.2° | | | | |
| Adjustment angle | Pan: 0°~360° | | Tilt: 0°~90° | Rotate:0°~360° | |
| Shutter | Auto/Manual, 1~1/100000 s | | | | |
| Minimum Illumination | Colour: 0.01 Lux (F1.6, AGC ON) 0 Lux with IR on | | | | |
| Digital noise reduction | 2D/3D DNR | | | | |
| Day/Night | IR-cut filter with auto switch (ICR) | | | | |
| S/N | >52dB | | | | |
| IR Range | Up to 30m (98 ft) IR range | | | | |
| WDR | DWDR | | | | |
| Video | | | | | |
| Video Compression | Ultra 265,H.265, H.264, MJPEG | | | | |
| H.264 code profile | Baseline profile, Main Profile, High Profile | | | | |
| Frame Rate | Main Stream:4MP (2048*1520): Max. 20fps; Sub Stream:720P (1280*720): Max.30 fps; Third Stream: D1 (704*576): Max.30fps | | | | |
| HLC | Supported | | | | |
| BLC | Supported | | | | |
| OSD | Up to 4 OSDs | | | | |
| Privacy Mask | Up to 8 areas | | | | |
| ROI | Up to 2 areas | | | | |
| Motion Detection | Up to 4 areas | | | | |
| Network | | | | | |
| Protocols | IPv4,IGMP,ICMP,ARP,TCP,UDP,DHCP, RTP,RTSP,RTCP,DNS,DDNS,NTP,FTP,UPnP,HTTP,HTTPS,SMTP, SSL | | | | |
| Compatible Integration | ONVIF(Profile S, Profile G), API | | | | |
| Interface | | | | | |
| Network | 1 RJ45 100M Base-TX Ethernet | | | | |
| Edge Storage | MicroSD, up to 128GB | | | | |
| General | | | | | |
| Power | 12 V DC±25%, PoE (IEEE802.3 af) | | | | |
| | Power consumption: Max 6.5W | | | | |
| Dimensions (L × W × H) | 253.4×86×71.7mm(9.98"×3.4"×2.8") | | | | |
| Weight | 1kg (2.2lb) | | | | |
| Working Environment | -30°C ~ +60°C (-22°F ~ 140°F), Humidity :10%~90% RH(non-condensing) | | | | |
| Ingress Protection | IP67 | | | | |